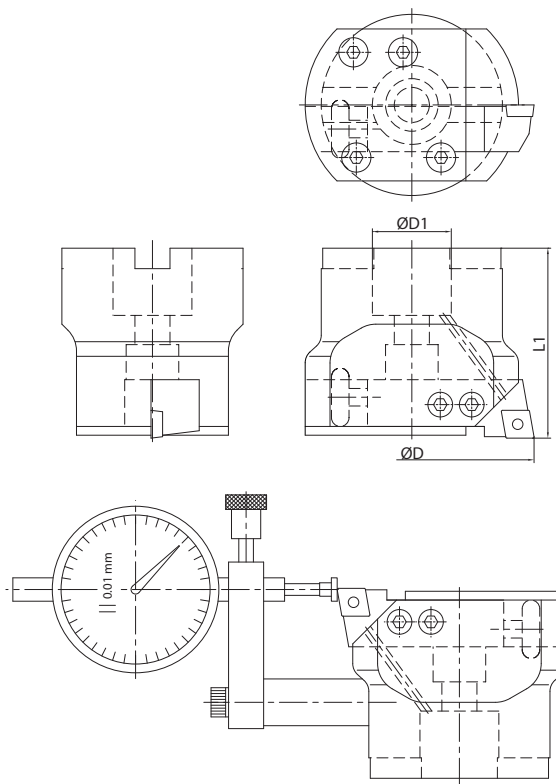
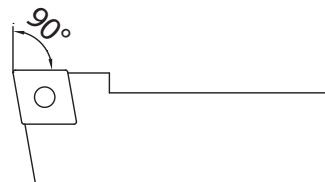




ADJUSTABLE BORING HEAD

EINSTELLBARER AUSDREHKOPF TESTINA REGOLABILE PER ALESATURA
 CABEZAL AJUSTABLE DE MANDRINAR TÊTE À ALÉSER RÉGLABLE
 РАСТОЧНЫЕ ГОЛОВКИ РЕГУЛИРУЕМЫЕ 可调镗头



| CODE N. | d | d1 | l1 | EINBAUHALTER - CARTRIDGES - CARTOUCHES - CARTUCCE | | |
|------------|----------|----|----|---|----------------|----------------|
| RAIMAX 30 | Ø28-40 | 16 | 45 | K-SCGCL 08-06 | K-STGPL 08-09 | - |
| RAIMAX 40 | Ø39-55 | 16 | 50 | K-SCGCL 10-06 | K-STGPL 10-09 | - |
| RAIMAX 50 | Ø49-75 | 22 | 56 | K-SCGCL 12-09 | K-STGPL 12-11 | K-SSXCL 12-09 |
| RAIMAX 75 | Ø74-115 | 27 | 65 | K-SCGCL 16-09 | K-STGPL 16-11 | K-SSXCL 16-09 |
| RAIMAX 100 | Ø98-160 | 40 | 67 | K-SCGCL 20-09 | K-STGPL 20-11 | K-SSXCL 20-09 |
| RAIMAX 150 | Ø148-250 | 40 | 67 | K-SCGCL 20L-09 | K-STGPL 20L-11 | K-SSXCL 20L-09 |



| CODE N. | INSERTS N. | SCREW | WRENCH |
|----------------|------------|---|---|
| K-SCGCL 08-06 | CCMT 0602 |  |  |
| K-SCGCL 10-06 | CCMT 0602 | KV28 | Torx 7 |
| K-SCGCL 12-09 | CCMT 09T3 | KV4c | Torx 15 |
| K-SCGCL 16-09 | CCMT 09T3 | KV4c | Torx 15 |
| K-SCGCL 20-09 | CCMT 09T3 | KV4c | Torx 15 |
| K-SCGCL 20L-09 | CCMT 09T3 | KV4c | Torx 15 |